



The Void Electronics

#DIRT

**PCB
assembly**

#Dirt circuit

This is the schematic for #Dirt. As you can see it's a super straight forward circuit with a low component count. The components you receive if you purchase the full kit are clearly labelled but if you are sourcing your own, the values are as follows

Component values

R1 - 2M

R2 - 68K

R3 - 100K

C1 - 100nF

C2 - 100nF

C3 - 22uF

LED 1/2 - 5mm LED Diode

T1 - 2N2222

POT - B10K

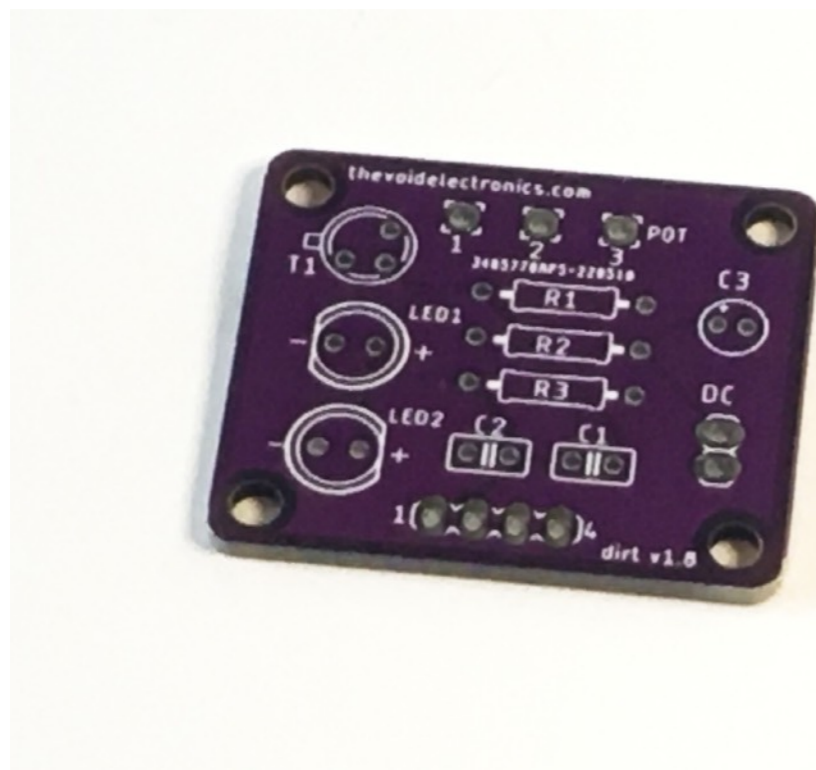
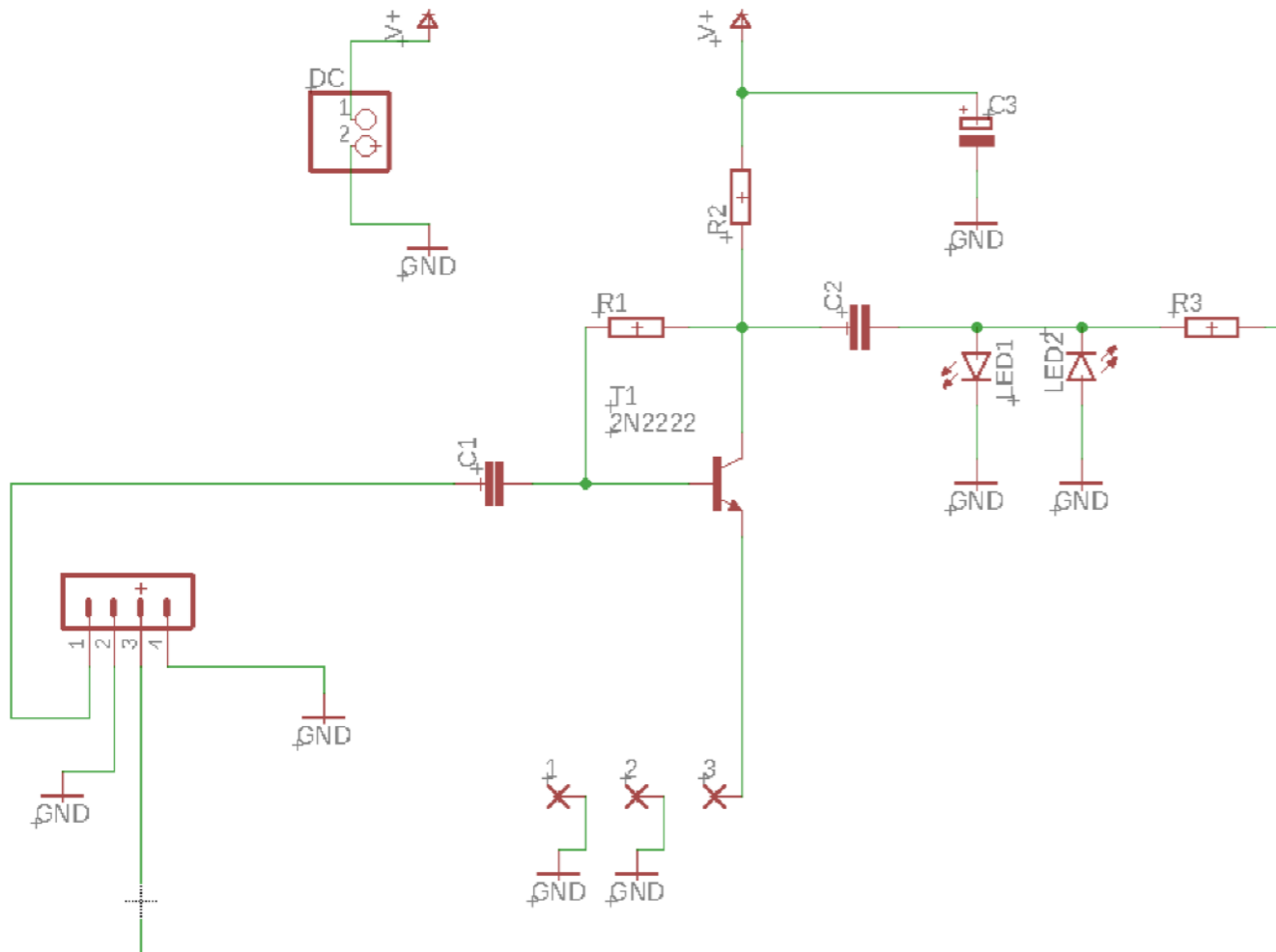
PCB inputs

1 - Circuit input

2 - Input GND

3 -

4 -



Web info

Links etc



Watch a video guide to assembly

<https://thevoidelectronics.com/dirt-pcb-set>



Shop more products at-

<https://thevoidelectronics.com/shop>



[Website](#)



[Watch the gear in action](#)



